

ARMAPLATE

CHALLENGER

NOTE

All
dimensions
are for
GUIDANCE
only!

APHK01

& 12

FORD

CUSTOM

2012 >

CAUTION

Double-check to make sure that you have the right kit for the van you are working on BEFORE proceeding with your installation. If you are in any doubt, please ring 0845 838 0700.

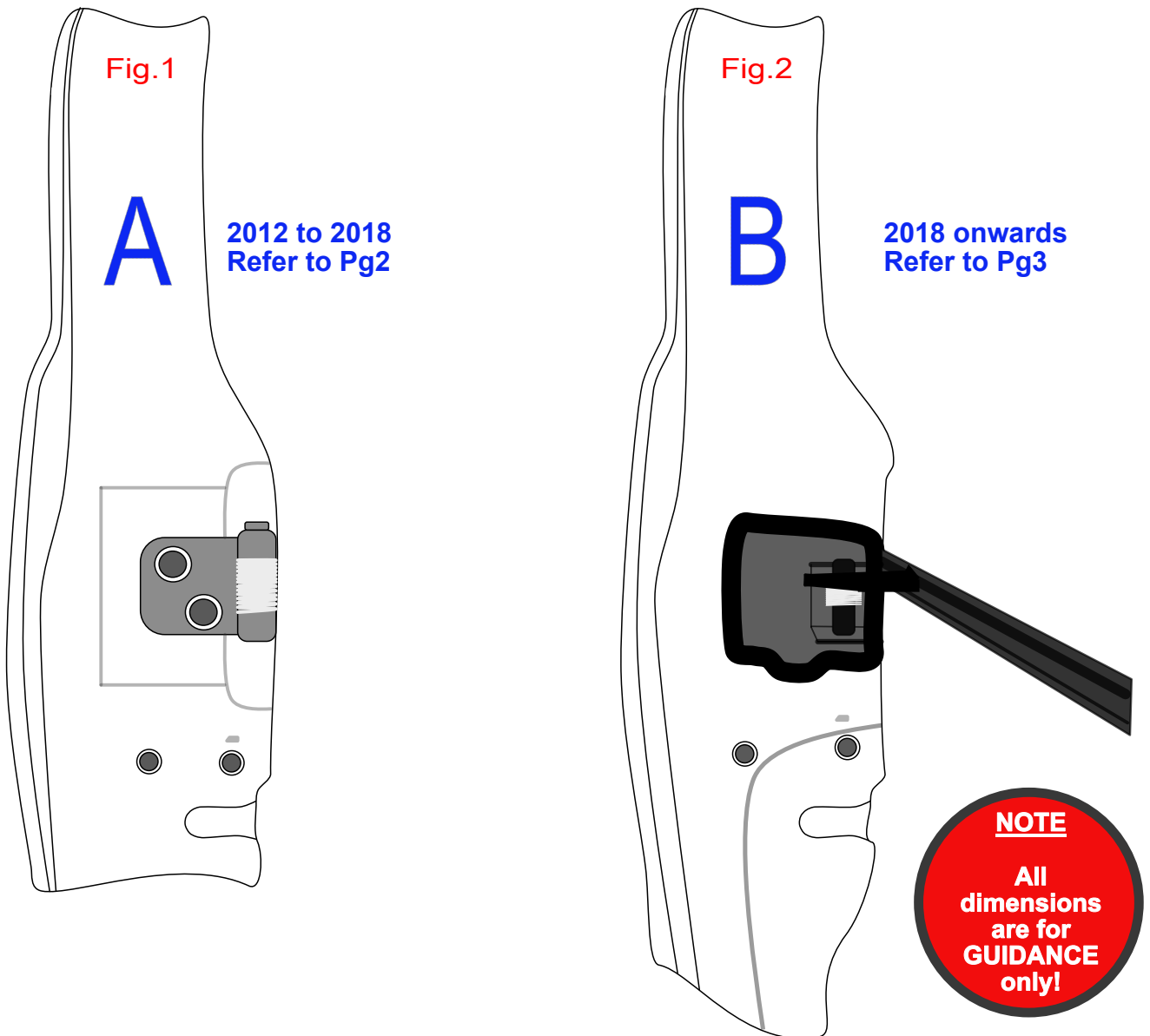
APHL03



Not suitable for a glazed door!

IMPORTANT NOTE : There is a difference between the side load door following the “FaceLift” changes and you need to make sure which variation you will be working on. The Challenger HookLock fits both but the fitting measurements are different. Look at the images below to determine which door is fitted to your van - **A** or **B**.

If you are not too sure, contact us for assistance.



NOTE: TREAT ALL BARE METAL AFTER CUTTING/DRILLING!

Armaplate UK Ltd have taken great care to ensure the accuracy of all the information contained within these data sheets and guides, but we accept no responsibility for any errors in text, drawings or other sources of information relating to the installation of our products. It is the responsibility of the person carrying out the installation to make sure that he/she has all the necessary equipment, tools, dimensions, instructions and knowledge before beginning the work. Under no circumstances should the fitter make any alterations or drill holes in the vehicle's bodywork without being completely sure that the security product supplied is the correct one for the Make, Model, Year, Configuration of the van, noting that some products for example will not fit a van if glass windows are present. It is HIGHLY RECOMMENDED that our security products are installed by Armaplate approved fitters who have had specific training in the correct methods. More information available on our website www.arnaplate.com TM

CAUTION

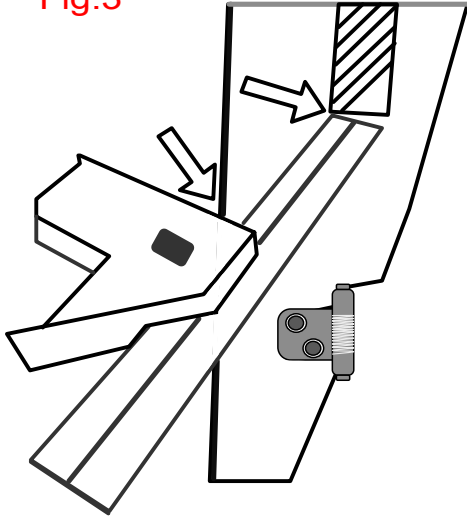
Double-check to make sure that you have the right kit for the van you are working on **BEFORE** proceeding with your installation. If you are in any doubt, please ring 0845 838 0700.



APHL03

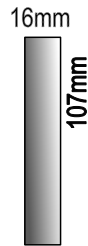
Not suitable for a glazed door!

Fig.3



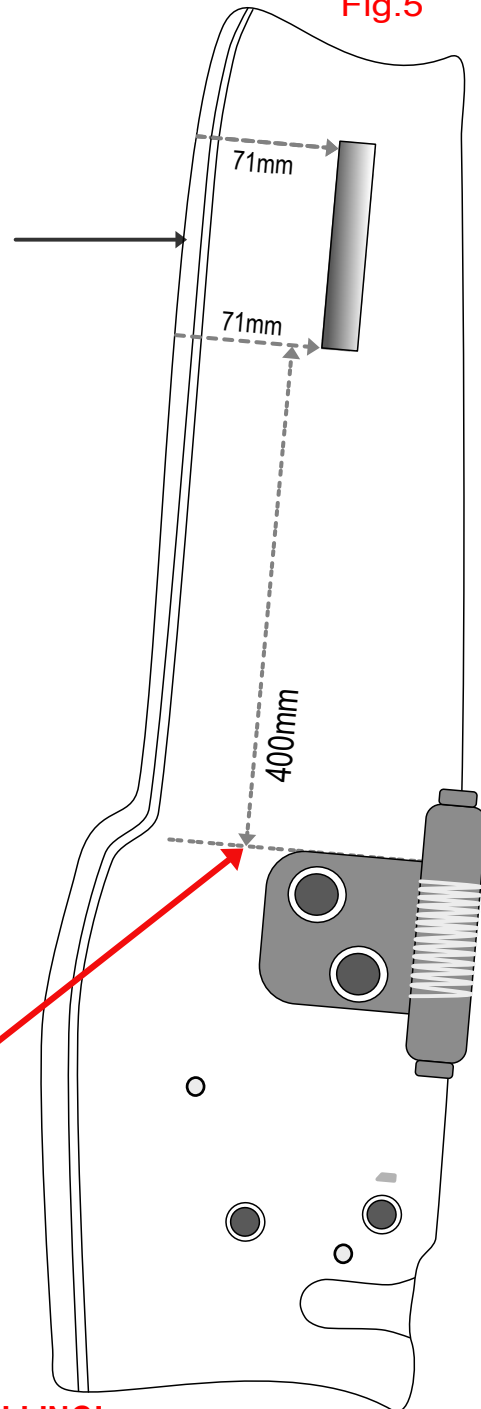
Door A

Fig.4



Cut Lockcase aperture to these dimensions

Fig.5



Take measurement from top edge of the door runner bracket

Measuring Method (example only)

- Use a Set-Square, set to 71mm.
- Position the Square on the edge of outer door skin and angle to the rear of the door, as indicated above.
- Mark the **FRONT** edge of the LockCase aperture, **TOP & BOTTOM**.
- Mark out the full aperture dimensions referring to Fig.4

NOTE: TREAT ALL BARE METAL AFTER CUTTING/DRILLING!

Armaplate UK Ltd have taken great care to ensure the accuracy of all the information contained within these data sheets and guides, but we accept no responsibility for any errors in text, drawings or other sources of information relating to the installation of our products. It is the responsibility of the person carrying out the installation to make sure that he/she has all the necessary equipment, tools, dimensions, instructions and knowledge before beginning the work. Under no circumstances should the fitter make any alterations or drill holes in the vehicle's bodywork without being completely sure that the security product supplied is the correct one for the Make, Model, Year, Configuration of the van, noting that some products for *example* will not fit a van if glass windows are present. It is **HIGHLY RECOMMENDED** that our security products are installed by Armaplate approved fitters who have had specific training in the correct methods. More information available on our website www.arnaplate.com **TM**

CAUTION

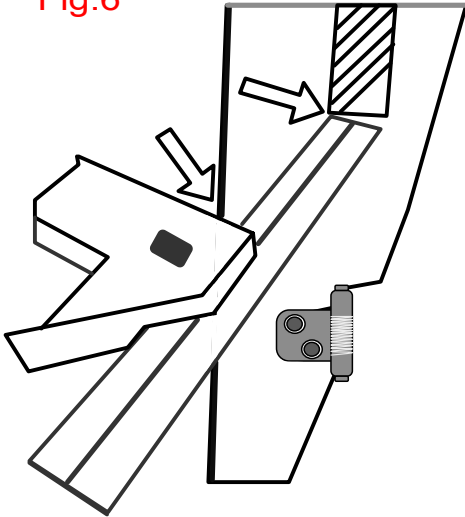
Double-check to make sure that you have the right kit for the van you are working on BEFORE proceeding with your installation. If you are in any doubt, please ring 0845 838 0700.



Not suitable for a glazed door!

APHL03

Fig.6



Door B

Fig.7

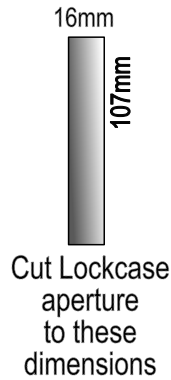
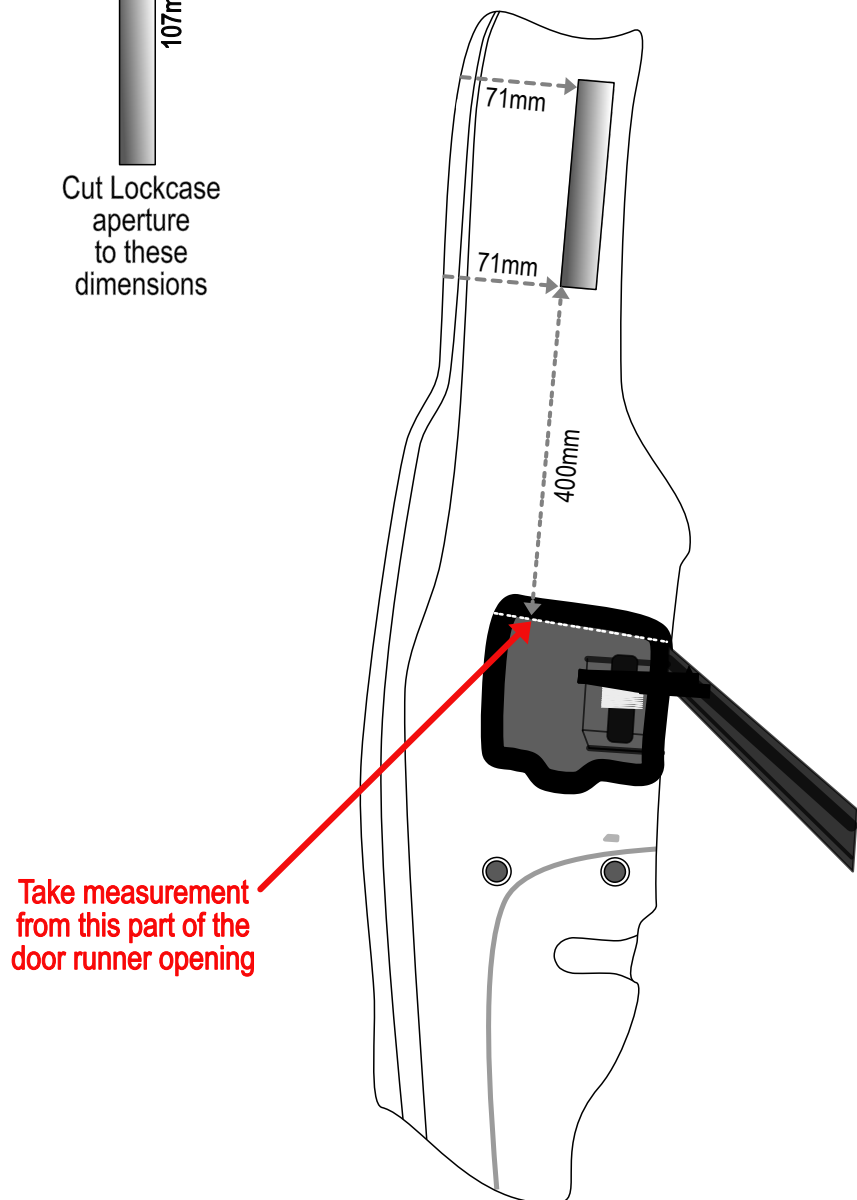


Fig.8



Measuring Method (example only)

- Use a Set-Square, set to 71mm.
- Position the Square on the edge of outer door skin and angle to the rear of the door, as indicated above.
- Mark the **FRONT** edge of the LockCase aperture, **TOP & BOTTOM**.
- Mark out the full aperture dimensions referring to Fig.6

NOTE: TREAT ALL BARE METAL AFTER CUTTING/DRILLING!

Armaplate UK Ltd have taken great care to ensure the accuracy of all the information contained within these data sheets and guides, but we accept no responsibility for any errors in text, drawings or other sources of information relating to the installation of our products. It is the responsibility of the person carrying out the installation to make sure that he/she has all the necessary equipment, tools, dimensions, instructions and knowledge before beginning the work. Under no circumstances should the fitter make any alterations or drill holes in the vehicle's bodywork without being completely sure that the security product supplied is the correct one for the Make, Model, Year, Configuration of the van, noting that some products for example will not fit a van if glass windows are present. It is HIGHLY RECOMMENDED that our security products are installed by Armaplate approved fitters who have had specific training in the correct methods. More information available on our website www.arnaplate.com TM

CAUTION

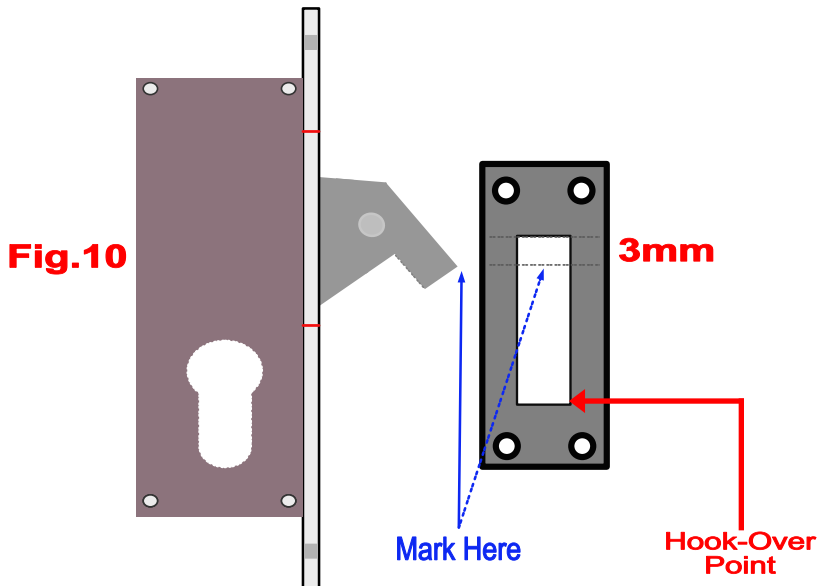
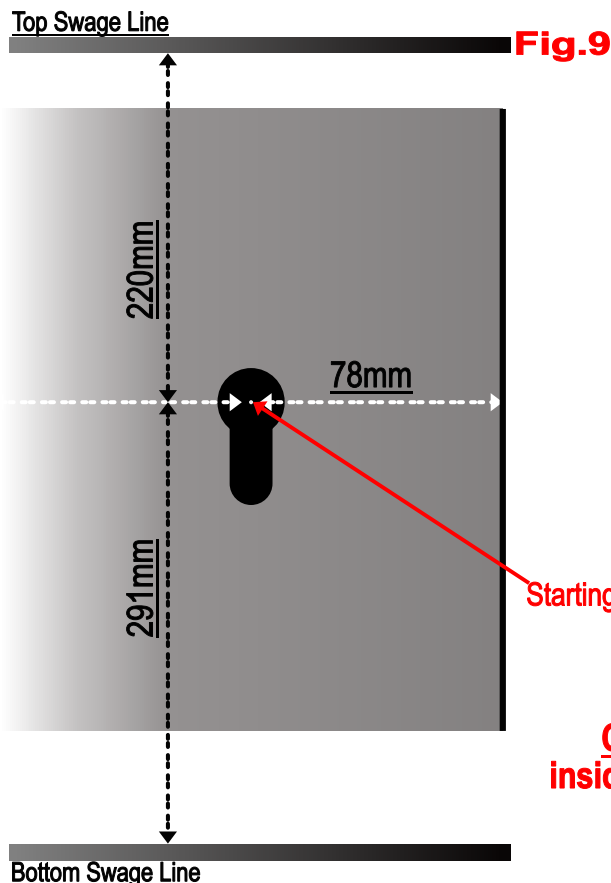
Double-check to make sure that you have the right kit for the van you are working on BEFORE proceeding with your installation. If you are in any doubt, please ring 0845 838 0700.



APHL03

Not suitable for a glazed door!

CYLINDER POSITION (Door A or B)



CAUTION!!! There is a wiring loom running down the inside of the "C" post where the strike-plate hole is to be cut

FITTING A STRIKE PLATE

- Apply Masking tape to the approximate strike-area of the door post.
- Mark tip of the HOOK with a dab of paint to show where the bolt is going to touch the post.
- Close door and turn key to move HOOK onto the door post.
- Mark 3mm above the paint mark, then using the strike-plate, line up the TOP of the aperture (see Fig.10)
- Mark out strike-plate aperture on doorpost.
- Gradually cut out the shape of the strike-plate aperture until lock operates properly.
- Temporarily attach plate over the hole (use masking tape then 2 screws as a temporary fix.
- When lock operates correctly, drill and secure with supplied 5mm rivets.

Fig.11 THIN SPACER



Slide the thin spacer over the Lockcase body to mate up to the rear of the frontplate.

NOTE: TREAT ALL BARE METAL AFTER CUTTING/DRILLING!

Armaplate UK Ltd have taken great care to ensure the accuracy of all the information contained within these data sheets and guides, but we accept no responsibility for any errors in text, drawings or other sources of information relating to the installation of our products. It is the responsibility of the person carrying out the installation to make sure that he/she has all the necessary equipment, tools, dimensions, instructions and knowledge before beginning the work. Under no circumstances should the fitter make any alterations or drill holes in the vehicle's bodywork without being completely sure that the security product supplied is the correct one for the Make, Model, Year, Configuration of the van, noting that some products for example will not fit a van if glass windows are present. It is HIGHLY RECOMMENDED that our security products are installed by Armaplate approved fitters who have had specific training in the correct methods. More information available on our website www.armaplate.com TM

CAUTION

Double-check to make sure that you have the right kit for the van you are working on BEFORE proceeding with your installation. If you are in any doubt, please ring 0845 838 0700.

APHL04



Not suitable for a glazed door!

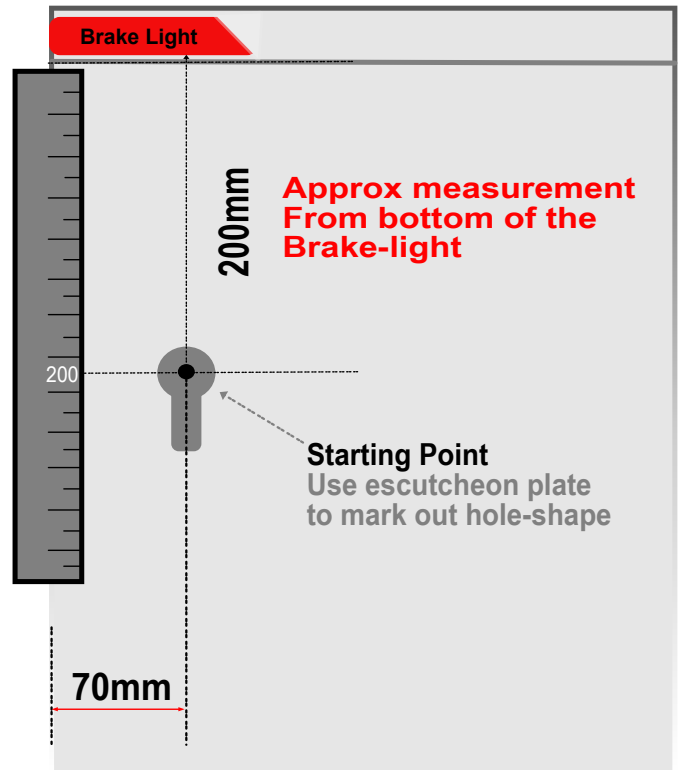
IMPORTANT NOTE : This is for a **LOW ROOF** van only! If your vehicle is HIGH ROOF, you will need to carry out the modifications to the rear bracket as detailed on Page 4 of this guide.

CYLINDER POSITION

Fig.1



Fig.2



CAUTION :

It is advised to carefully remove the High-Level Brake Light and secure the cable inside to one side while cutting the Lock Cylinder holes. Remove the rubber grommet to access the brake-light retaining nut.

* Mark the cylinder position (see Fig.2)

* Neatly cut the **EXTERNAL** hole for the lock cylinder on the outer doorskin using the escutcheon plate as a guide.

* Cut the **INTERNAL** hole for the lock cylinder to pass through. The internal hole needn't be as neat, since it will be covered by the LockCase mounting box.

NOTE: TREAT ALL BARE METAL AFTER CUTTING/DRILLING!

Armaplate UK Ltd have taken great care to ensure the accuracy of all the information contained within these data sheets and guides, but we accept no responsibility for any errors in text, drawings or other sources of information relating to the installation of our products. It is the responsibility of the person carrying out the installation to make sure that he/she has all the necessary equipment, tools, dimensions, instructions and knowledge before beginning the work. Under no circumstances should the fitter make any alterations or drill holes in the vehicle's bodywork without being completely sure that the security product supplied is the correct one for the Make, Model, Year, Configuration of the van, noting that some products for example will not fit a van if glass windows are present. It is HIGHLY RECOMMENDED that our security products are installed by Armaplate approved fitters who have had specific training in the correct methods. More information available on our website www.armacplate.com TM

CAUTION

Double-check to make sure that you have the right kit for the van you are working on BEFORE proceeding with your installation. If you are in any doubt, please ring 0845 838 0700.

APHL04



Not suitable for a glazed door!

FITTING THE LOCKCASE & MOUNTING BOX

Fig.3 Inside view of rear door

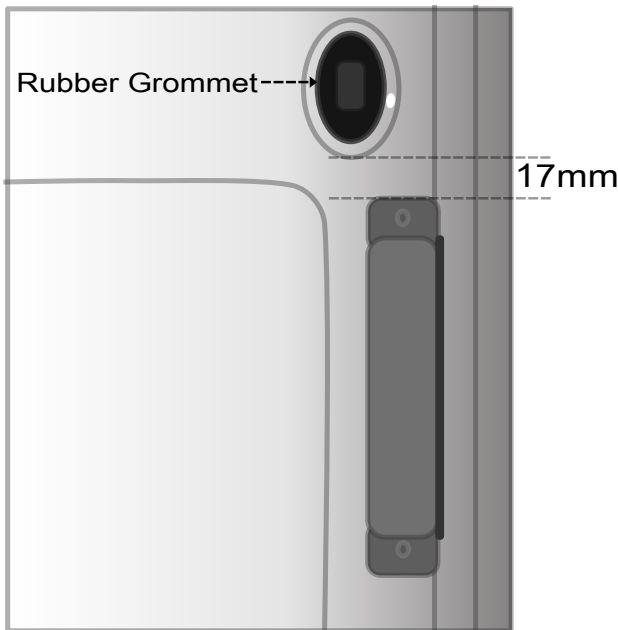
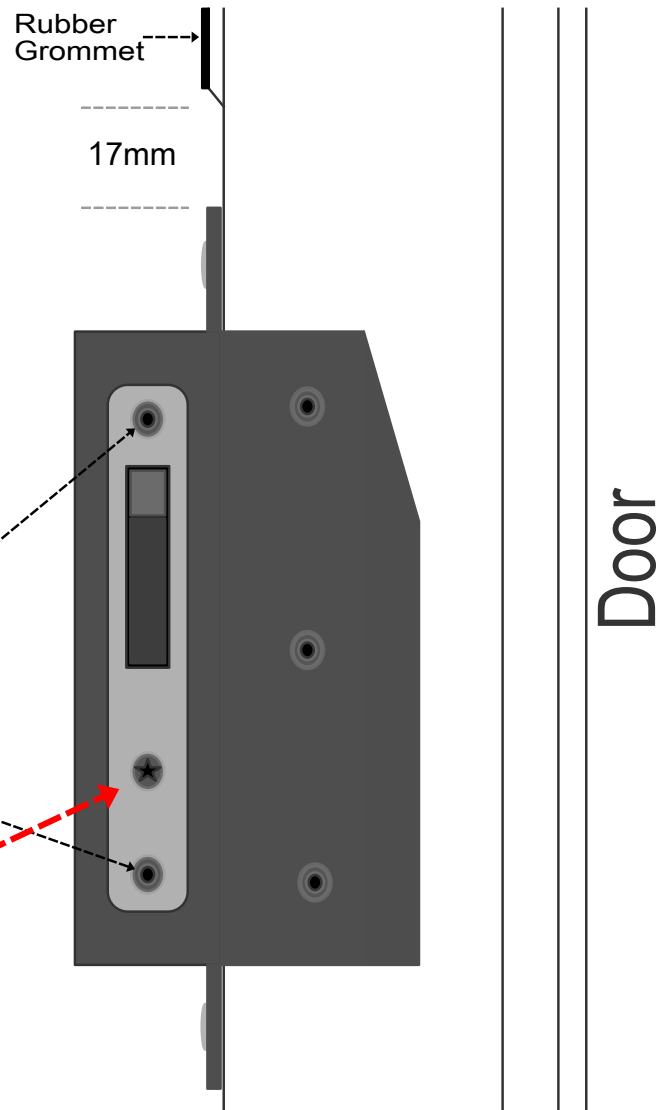


Fig.4



- * Secure the LockCase to the Mounting Box using the supplied 5mm CSK Rivets
- * Align the top tab of the Mounting Box approx **17mm** from the **BOTTOM** of the raised area surrounding the rubber grommet and place a mark.
- * Engage cylinder with LockCase and make sure that the Mounting Box will fit in the right position.
- * Fit cylinder securing-screw (ideally cut to approx 40mm length)
- * Make adjustments to the cylinder-holes on doorskins if necessary.
- * Mark the rivet-hole positions for Mounting Box, drill 5mm holes and secure the box with supplied 5mm Dome-Head rivets. <https://www.clearskyinstitute.com/ham/HamClock/>
- * Drill remaining holes and secure with rivets.

NOTE:

Armaplate UK Ltd have taken great care to ensure the accuracy of all the information contained within these data sheets and guides, but we accept no responsibility for any errors in text, drawings or other sources of information relating to the installation of our products. It is the responsibility of the person carrying out the installation to make sure that he/she has all the necessary equipment, tools, dimensions, instructions and knowledge before beginning the work. Under no circumstances should the fitter make any alterations or drill holes in the vehicle's bodywork without being completely sure that the security product supplied is the correct one for the Make, Model, Year, Configuration of the van, noting that some products for example will not fit a van if glass windows are present. It is HIGHLY RECOMMENDED that our security products are installed by Armaplate approved fitters who have had specific training in the correct methods. More information available on our website www.armaplate.com TM

CAUTION

Double-check to make sure that you have the right kit for the van you are working on BEFORE proceeding with your installation. If you are in any doubt, please ring 0845 838 0700.

APHL04



Not suitable for a glazed door!

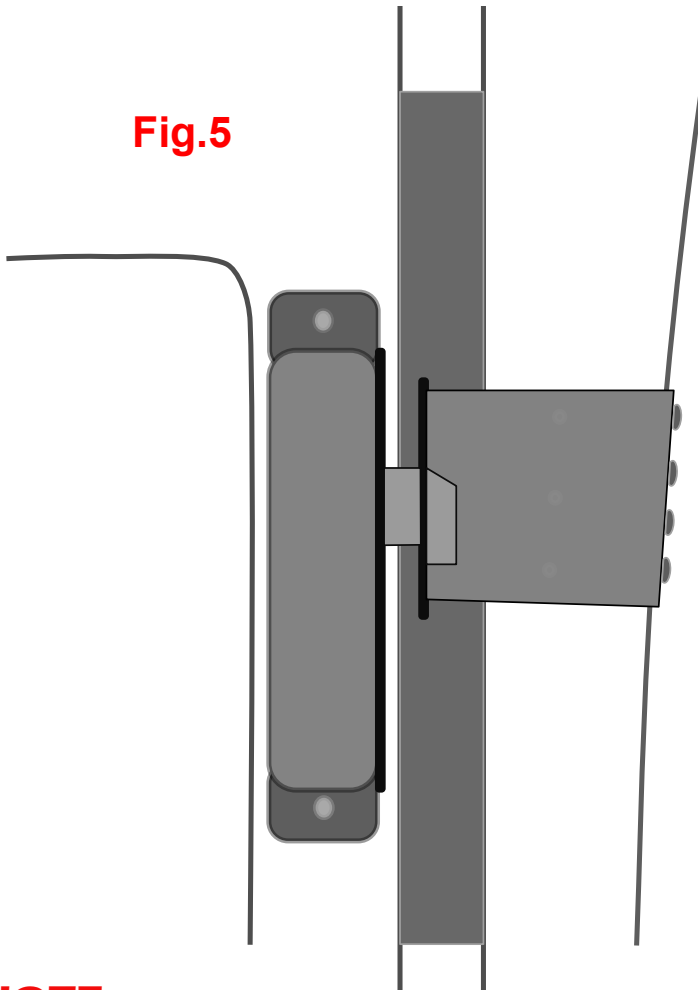
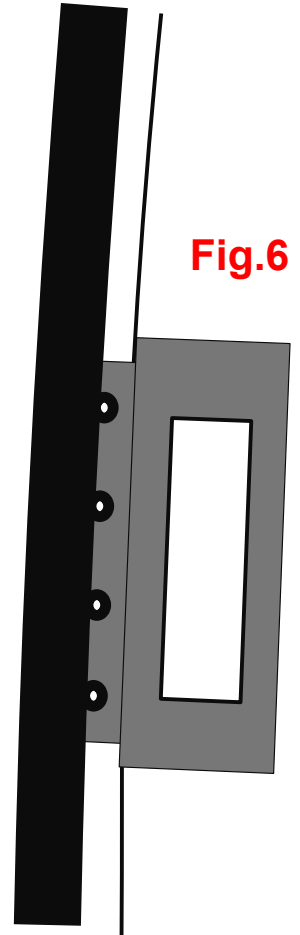
FITTING THE RECEIVER

Close both rear doors and operate the cylinder so that the hook is fully extended in its locked position.

From INSIDE the van, offer the Receiver Bracket into position, ensuring that the **BOTTOM** of the slot sits under the hook with just a couple of mm clearance (see Fig.5).

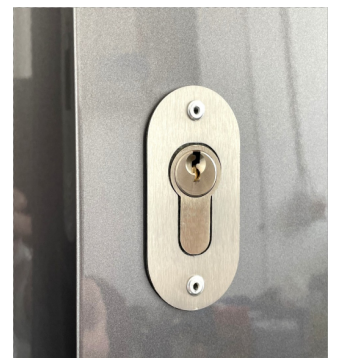
Hold the bracket in place with masking tape and then from outside, test the lock operation carefully, adjusting the bracket position accordingly until you are happy with it.

When the lock operates correctly, drill the bracket holes and secure it in position with the eight 5mm dome-head rivets.

Fig.5**Fig.6**

FITTING THE ESCUTCHEON PLATE

Fit the escutcheon plate around the cylinder cut-out and secure it with the supplied 3.5mm rivets.

Fig.7**NOTE:**

Armaplate UK Ltd have taken great care to ensure the accuracy of all the information contained within these data sheets and guides, but we accept no responsibility for any errors in text, drawings or other sources of information relating to the installation of our products. It is the responsibility of the person carrying out the installation to make sure that he/she has all the necessary equipment, tools, dimensions, instructions and knowledge before beginning the work. Under no circumstances should the fitter make any alterations or drill holes in the vehicle's bodywork without being completely sure that the security product supplied is the correct one for the Make, Model, Year, Configuration of the van, noting that some products for example will not fit a van if glass windows are present. It is HIGHLY RECOMMENDED that our security products are installed by Armaplate approved fitters who have had specific training in the correct methods. More information available on our website www.armaplate.com TM

CAUTION

Double-check to make sure that you have the right kit for the van you are working on BEFORE proceeding with your installation. If you are in any doubt, please ring 0845 838 0700.

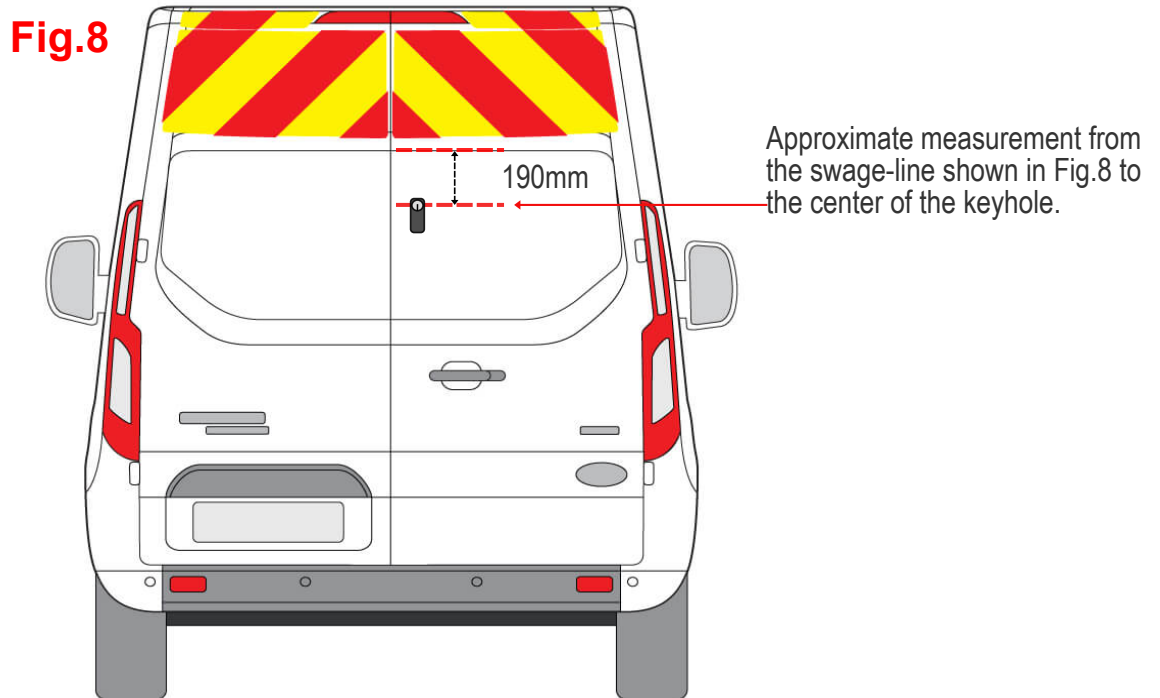
APHL04



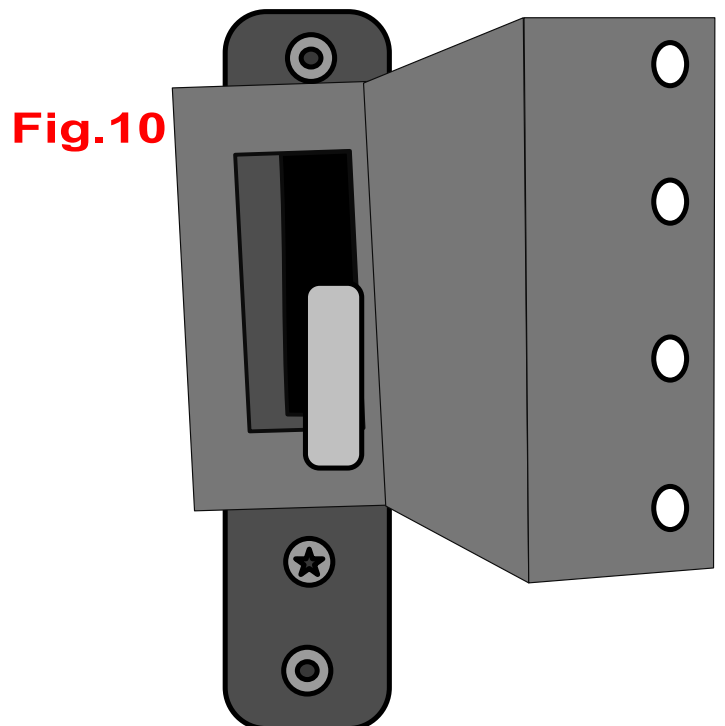
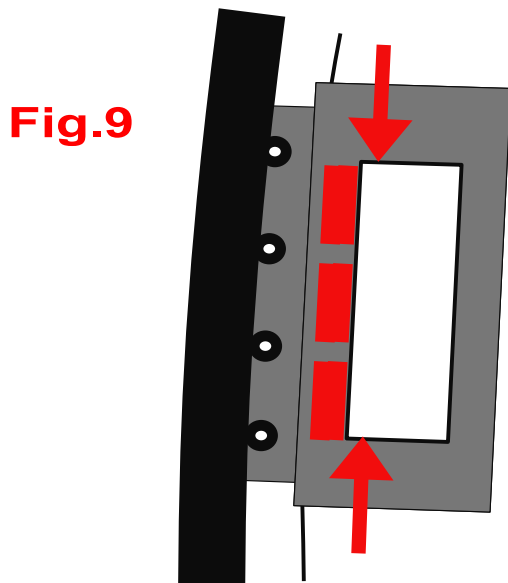
Not suitable for a glazed door!

FITTING TO REAR DOOR OF A HIGH-ROOF VAN

The HIGH ROOF rear doors have an additional UPPER LATCH, so **Strike Bracket** in the supplied kit will need modification in order to be able to function normally. See instructions below...



Close the rear doors and step into the cargo area. With the Lock Assembly in position, assess how much material is required to be removed from the Strike Bracket Aperture so that the hook will engage without catching.



NOTE: Treat all bare metal with rust-inhibitor

CAUTION

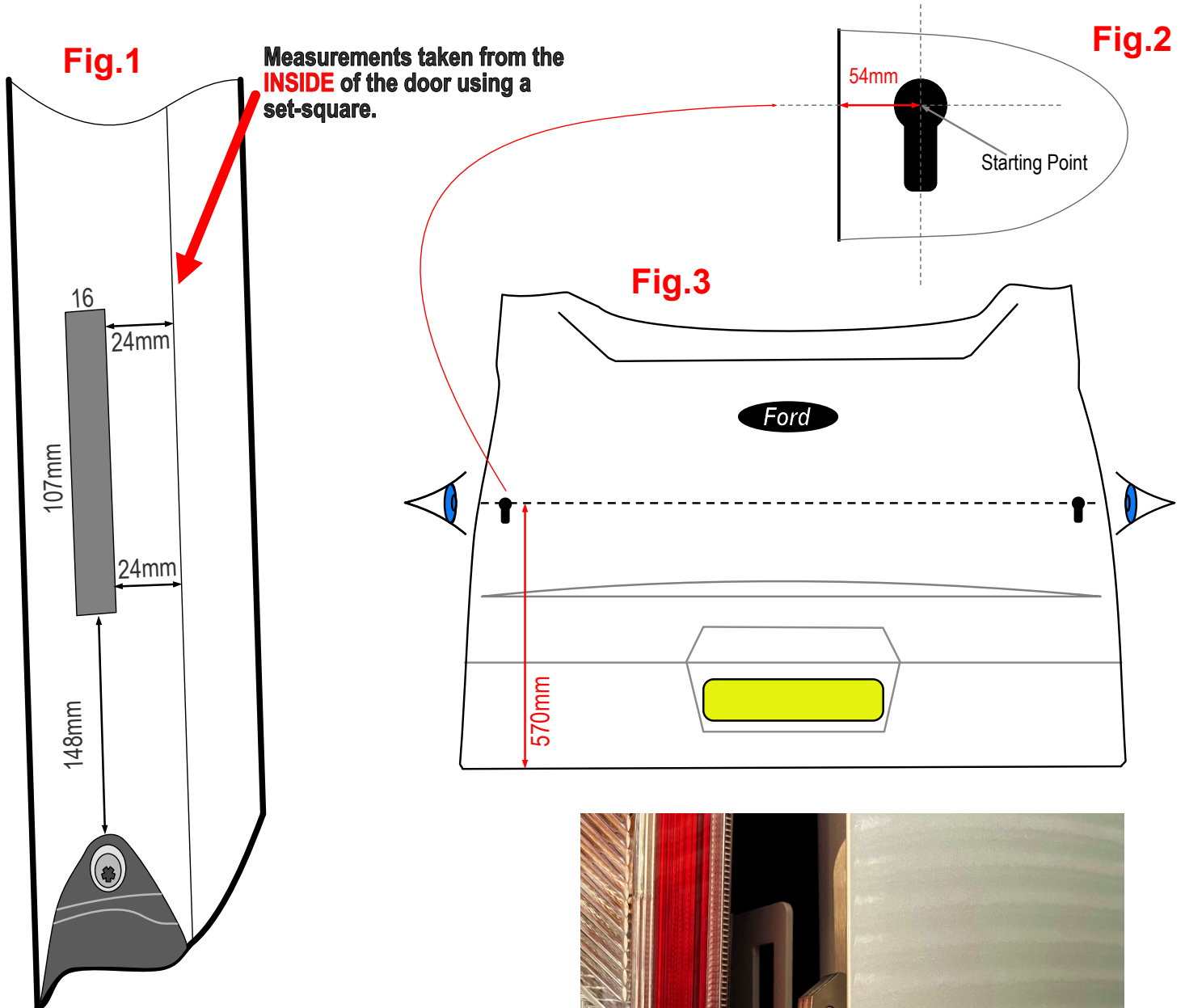
Double-check to make sure that you have the right kit for the van you are working on **BEFORE** proceeding with your installation. If you are in any doubt, please ring 0845 838 0700.

APHL05



FITTING TO REAR TAILGATE DOOR OF CUSTOM

REMOVE BOTH LIGHT CLUSTERS from the van before fitting the hooklocks by disconnecting the wiring look connectors and removing 3 Torx screws and 1 Plastic screw from the inside of the van. **DO NOT** secure the lockcases until the Strike Bracket positions have been checked. The diagram on the left show the OffSide of the tailgate. Mirror for NearSide.



Measurements taken from the **INSIDE** of the door using a set-square.

Position the **Receiver-Brackets** so that they align perfectly with the hook in it's fully locked position. Check and double-check before fixing permanently.

Fig.4



NOTE: Treat all bare metal with rust-inhibitor